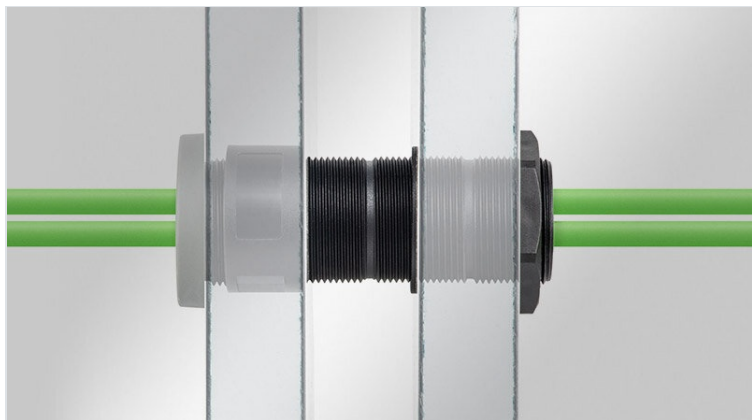


TE Thread extension

for cable glands and cable entry plates, M32 / M50



The icotek cable glands and cable entry plates with metric thread are screwed with a locknut during assembly. If the thread lengths are not sufficient, for example when mounting on sandwich panels or thick concrete walls, icotek offers a practical solution: the icotek thread extension!

The icotek thread extension is available in two sizes (M32, M50) and in three lengths (35 mm, 60 mm, 120 mm) and represents a real innovation in the field of cable management. The different lengths can be flexibly combined or shortened at the designated points. This means that not only very large, but also dimensionally accurate distances can be overcome when routing the cable. Due to their stable construction, almost any number of thread extensions can be screwed together.

Cut-out size: 37 / 55 mm (standard sizes for hole saws)



Specifications

Material	Polyamide
Flame class	UL94-V0, self-extinguishing
Operating temperature	-40 C° to 140 C°
Properties	silicone free, halogen free
Mounting options	Fasten with locknut

Advantages & benefits

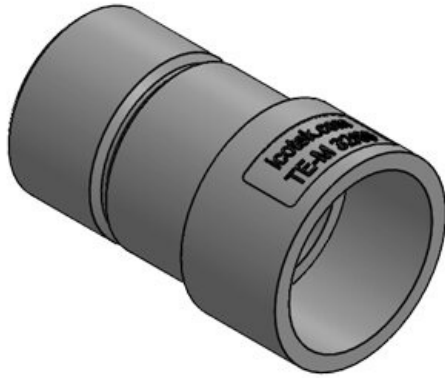
- Wide range of applications in different industries such as construction, building services, caravans, cleanroom and more.
- Especially suitable for sandwich panels of all wall thicknesses
- IP protection of the cable gland or cable entry plate used remains in place
- Almost endless extension possible
- Different thread lengths can be flexibly combined with each other
- Larger lengths can be shortened at the notch between the threads, without damaging the threads
- Milled recess for wrench size for easy tightening of the screw connection
- Fits to all round icotek cable glands and cable entry plates M32 und M50

Product types & sizes

TE-M32|35



Part No.	52300	Thread	M32 × 1,5
EAN	4251269332449		
Package quantity	5		
Max. cable diameter	25 mm		
Colour	schwarz		
Length	35 mm		
External diameter	36,5 mm		

TE-M32|60

Part No.	52301	Thread	M32 × 1,5
EAN	4251269332		
	456		
Package quantity	5		
Max. cable diameter	25 mm		
Colour	schwarz		
Length	60 mm		
External diameter	36,5 mm		

TE-M32|120

Part No.	52302	Thread	M32 × 1,5
EAN	4251269332		
	463		
Package quantity	5		
Max. cable diameter	25 mm		
Colour	schwarz		
Length	120 mm		
External diameter	36,5 mm		

TE-M50|35

Part No.	52310	Thread	M50 × 1,5
EAN	4251269332		
	470		
Package quantity	5		
Max. cable diameter	43 mm		
Colour	schwarz		
Length	35 mm		
External diameter	54,5 mm		

TE-M50|60



Part No.	52311	Thread	M50 × 1,5
EAN	4251269332		
	487		
Package quantity	5		
Max. cable diameter	43 mm		
Colour	schwarz		
Length	60 mm		
External diameter	54,5 mm		

TE-M50|120



Part No.	52312	Thread	M50 × 1,5
EAN	4251269332		
	494		
Package quantity	5		
Max. cable diameter	43 mm		
Colour	schwarz		
Length	120 mm		
External diameter	54,5 mm		